

# Technical Data 9000

Effective January 2019

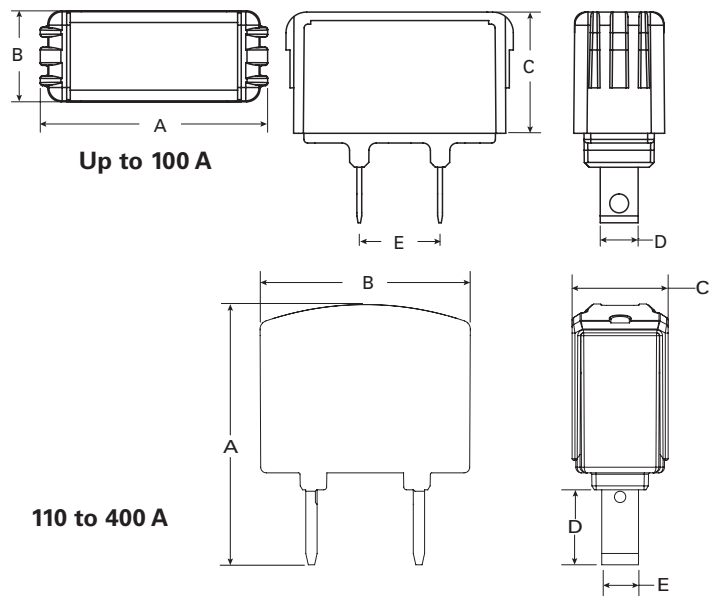
# UL Class CF branch circuit time-delay CUBEFuse

## Features

- Smallest installed footprint of any UL Class CC, J, or R fuse solution
- Easy application using CUBEFuse holders (TCFH\_N), UL 98 Compact Circuit Protector (CCP2) switches and Compact Circuit Protector Base (CCP2B up to 100 A). See data sheet 9007 for details on the CUBEFuse holder, 10801 for details on the CCP2\_C switch and 1161 for the CCP2B.
- Holders and switches have an amp rating rejection feature to help prevent overfusing; 30, 60 and 100 A switches and holders will hold any CUBEFuse up to its rating, 200 and 400 A switches and 200, 225 and 400 A holders will hold any CUBEFuse 110 A and above up to its rating
- UL Class CF with Class J time-delay electrical performance
- Available in indicating and non-indicating versions
- The indicating version features local *easyID™* open fuse technology for faster troubleshooting and reduced downtime
- Faster response to damaging faults helps reduce destructive thermal and magnetic forces
- True dual-element fuse construction with a minimum 10 seconds time-delay at 500% of rating
- Long time-delay minimizes nuisance openings caused by temporary overloads and transient surges
- Up to 300 kA interrupting rating safely interrupts virtually any fault
- Robust cycling and inrush current withstand
- Low let-through currents under fault conditions
- Provides Type 2 “No Damage” protection for IEC motor starters when properly sized
- Easy selective coordination with any other Bussmann series Low-Peak Class CC, J, L or RK1 fuse with simple 2:1 amp ratio between upstream and downstream fuses

\* Finger-safe status depends on final, installed application, and will require using accessory shrouds for 110 to 400 A ratings.

## Dimensions — in (mm)



Fuse amps	A	B	C	D	E
1-15				0.23 (6)	
17-1/2	1.88 (48)	0.75 (19)	1.0 (25)	0.27 (7)	
20				0.31 (8)	0.67 (17)
25-30				0.36 (9)	
35-40	2.13 (54)		1.13 (29)	0.44 (11)	
45-50		1.0 (25)			
60				0.49 (12)	
70					0.64 (16)
80-90	3.01 (76)		1.26 (32)	0.57 (14)	
100					0.51 (13)
110					0.51 (13)
125					0.51 (13)
150	3.62 (92)	2.9 (74)	1.34 (34)	1.02 (26)	0.57 (14.5)
175					0.57 (14.5)
200					0.63 (16)
225					0.73 (18.5)
250					0.79 (20)
300	4.25 (108)	3.46 (88)	1.69 (43)	1.47 (36)	0.86 (21.5)
350					0.86 (21.5)
400					0.86 (21.5)



## Carton quantity and weight

Amp range	Carton qty.	Weight per carton lb (kg)
Up to 30	12	1.39 (0.63)
35-60	12	1.42 (0.64)
70-100	6	1.74 (0.79)
110 to 225	1	0.71 (0.32)
250 to 400	1	1.23 (0.56)